

Christie E Series

Auditoriums

Boardrooms

Broadcast

Conference rooms

Education

Houses of worship

Live events

Museums

Training rooms



CHRISTIE®



Unrivalled value, versatility and superior image quality

From energy saving features, to low maintenance cost, to a myriad of standard features, and the best industry warranty and support, the Christie® E Series offers unrivalled value.

Built with proven DLP® technology, the Christie E Series provides trusted performance and reliability, and exceptional image quality for small auditoriums, boardrooms, classrooms and places of worship. With a design that includes color matching, image blending and warping and stacking capabilities, the Christie E Series is ready for the challenges of fixed installs and rental/staging applications.

Our flexible platform operates in single or dual-lamp modes, giving you brightness options for any application. Ideal for 24/7 operation, the filter-free, dust-sealed design prevents dust and dirt from affecting the projector – ensuring that image quality is upheld and maintenance costs are minimal. A full suite of optional lenses give you more options to meet your needs.

With four to choose from, these models offer native HD or WUXGA resolutions in a compact chassis, and come backed by Christie's industry leading warranties, service and support.

◀ Four models available: Christie DHD675-E, Christie DWU675-E, Christie DHD775-E, and Christie DWU775-E

Spectacular images engage your audience

Displaying exceptional images doesn't necessarily have to come at a premium. The Christie E Series offers excellent image quality without breaking your budget.

The Christie E Series produces images with incredible color and brightness. With the addition of Dynamic Contrast, your images are further enhanced by increasing the contrast ratio to 5000:1. This series ships standard with a high brightness, six-segment color wheel, and offers an optional six-segment rich color wheel for applications that require the best possible color accuracy. With four models ranging in brightness, the E Series will make your images shine every time.

High brightness

The E Series is the brightest in its class.

- Christie DHD675-E: 5850 ANSI lumens (6450 center lumens)
- Christie DWU675-E: 6100 ANSI lumens (6700 center lumens)
- Christie DHD775-E: 6400 ANSI lumens (7000 center lumens)
- Christie DWU775-E: 6700 ANSI lumens (7200 center lumens)



▲ Christie E Series high performance lamp



▲ Optional six-segment rich color wheel (RGBCMY)

Lamp options

The Christie E Series can be used in dual or single lamp mode.

Dual lamp	Higher brightness.
Single lamp	By switching between each lamp on power-up, the projector can operate for long periods of time (4000 hrs typical) before lamp replacement is needed.

The E Series optical system adjusts to optimize the light coupling between lamp modes resulting in higher lumens in single lamp mode as compared to the competition. So a 7000 lumen dual lamp projector becomes 4700 lumens when operating in single lamp mode instead of 3500 lumens. That's 34% brighter than the competition while in single lamp mode.

Six-segment color wheel

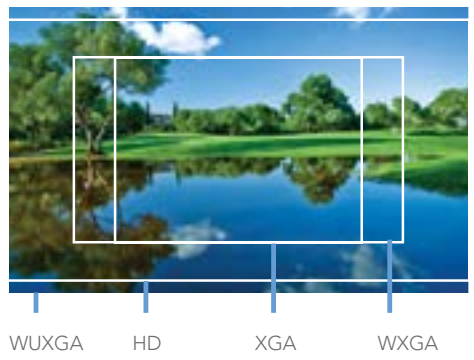
The Christie E Series comes standard with a six-segment brightness color wheel designed to maximize applications where high brightness is a requirement and a wide color gamut is a priority. For applications where precise color and graphics are required, we offer an optional six-segment rich color wheel designed with a wider color gamut to maximize rich colors.

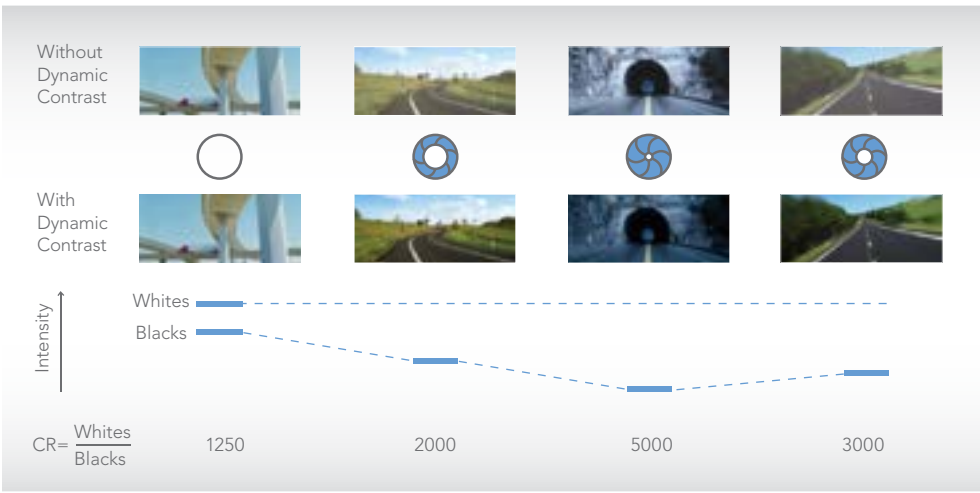
Two resolution options

Native HD model	Ideal for maintaining brightness
WUXGA model	Ideal for graphic intensive applications



▲ 1-chip DLP technology



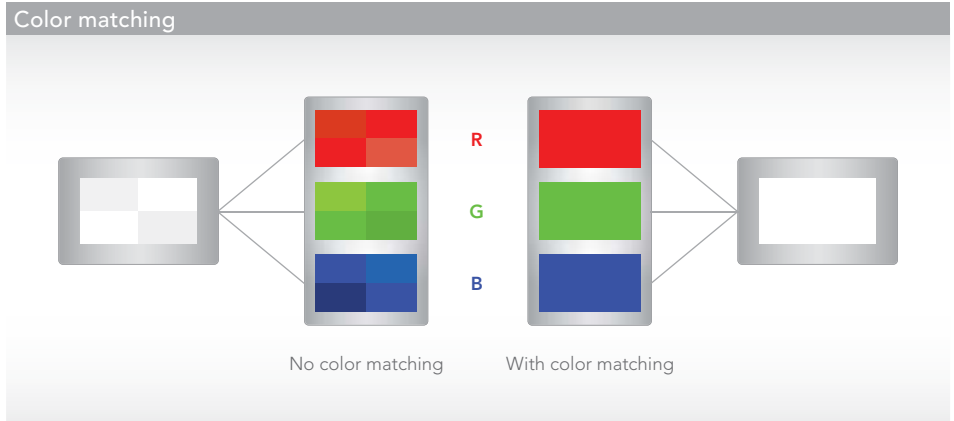
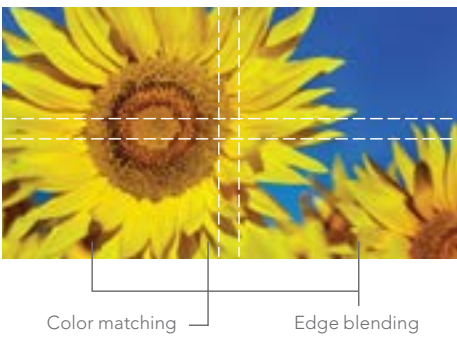


Dynamic Contrast

With the Dynamic Contrast enabled, up to 5000:1 contrast can be achieved. Ideal for video applications, the Dynamic Contrast automatically adjusts an internal iris to extend the range of blacks and provide richer details during dark content for true image reproduction.

Color matching

When used with multiple projectors, this feature ensures accurate color matching and uniformity across the entire image.



Constant intensity mode

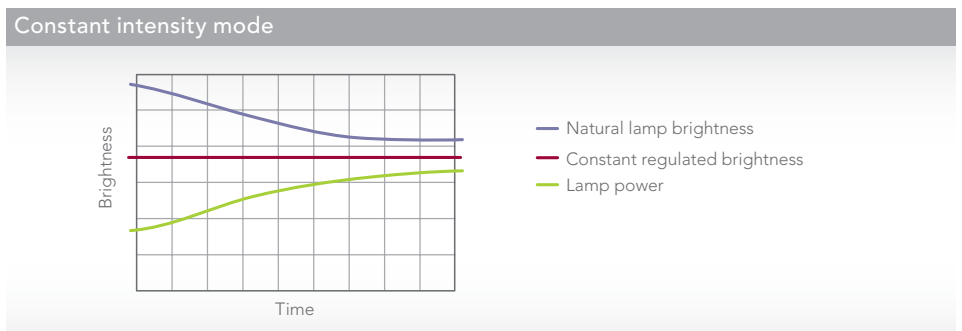
For tiled arrays, the constant intensity mode automatically increases brightness as the lamps wear out over time in order to maintain the overall brightness and image consistency across the display.



▲ Without constant intensity mode



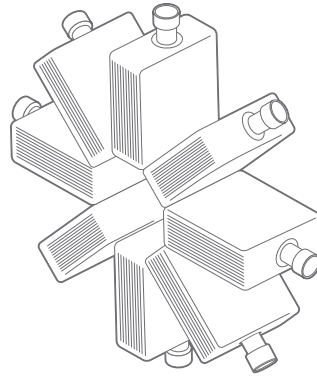
▲ With constant intensity mode



Designed for your application

What does unrivalled mean? It means a comprehensive set of features and options that increase value while minimizing the need to purchase "out of projector" technologies. Exactly what you get with the Christie E Series.

If you're looking for exceptional image quality, flexible installation, and ease of operation, look no further than the Christie E Series. Wireless connectivity opens the door for easy connection and clean presentation space. A full suite of lenses, input options and 360 degree projection are all designed to give you the flexibility to pick what works best for your application. The E Series is not only ideal for fixed install applications; the optional stacking, blending and warping capabilities also make it a great option for any staging application.



▲ 360 degree projection



▲ Christie E Series projectors in stacking frames

360 degree projection

Christie E Series models can project on table top, be ceiling-mounted, straight down or straight up. However you spin it, the Christie E Series will fit your needs.

Ready for staging applications

- Rugged design
- Stacking capabilities
- Color matching
- Constant intensity
- Blend and warp capabilities

Projector control

Control the projector through a web user interface.

SNMP (simple network management protocol) lets you remotely monitor a Christie projector and get status changes on various parameters.

- ◀ Christie Web UI
- ▼ Stacking plate

Motorized zoom, focus, lens shift and mechanical shutter

For easy installation and configuration, the Christie E Series comes with motorized zoom, focus and lens shift to ensure your image is aligned tight within the desired viewing area for each and every presentation. The mechanical shutter allows for quick pauses in your display when the need arises to shutter the image.

24/7 capability

The Christie E Series offers sealed, dust-free housing, heat-pipe cooling system and dual lamp design that enable the projectors to run 24 hours a day, 7 days a week in continuous operation.



▲ Christie E Series remote





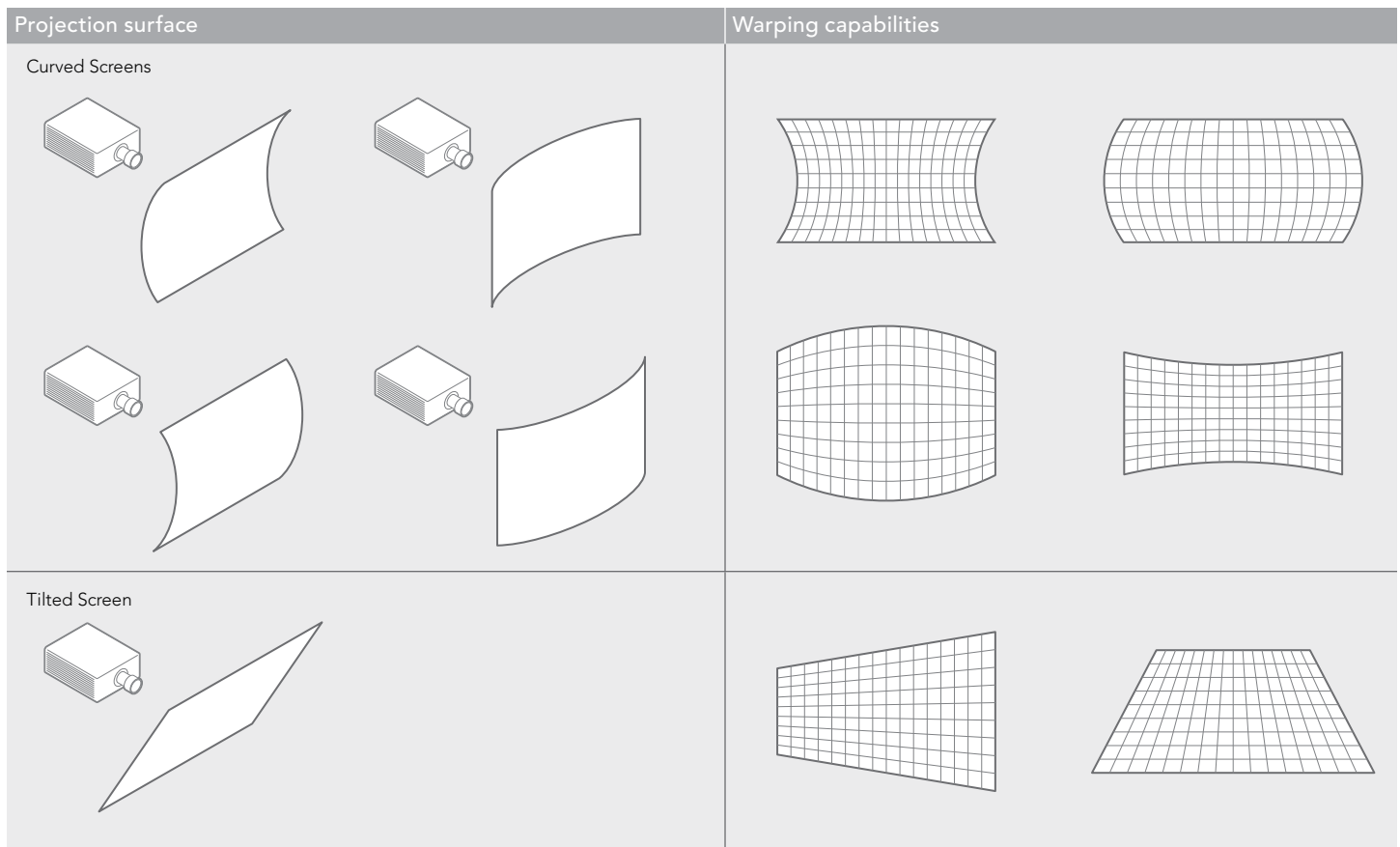
Christie Presenter

The Christie Presenter application allows up to four remote desktops from host PC's to be displayed on the network through Ethernet, USB, or wireless transports. It can adapt to different network settings (DHCP, fixed IP, and direct link by USB/Ethernet cable).

Blending and warping capabilities (optional)

Coupled with the internal color matching functions, blending and warping capabilities enable the projector to be used in applications where large image canvases are needed. An optional dual processor warp module is required to blend and warp displays.

Warp modes: Keystone, 4-Corner, Curve, Pincushion, Barrel and Rotation¹



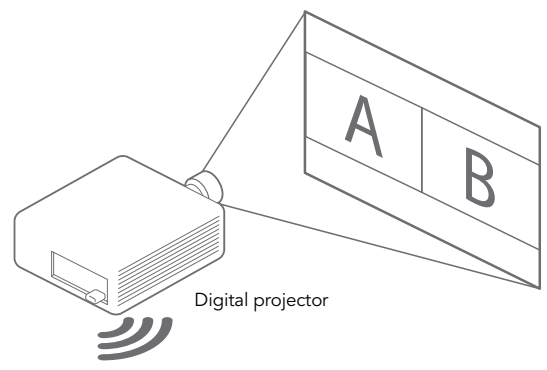
¹ Reference User Manual for combination compatibility of warp modes.

- 1 S-video
- 2 CVBS
- 3 Red/Pr
- 4 Blue/Pb
- 5 Green/Y
- 6 RS-232 IN
- 7 Mini USB
- 8 USB
- 9 Ethernet
- 10 Remote
- 11 Display port
- 12 VGA-OUT
- 13 VGA-IN
- 14 HDMI-1
- 15 HDMI-2
- 16 R
- 17 G
- 18 B
- 19 H/C
- 20 V



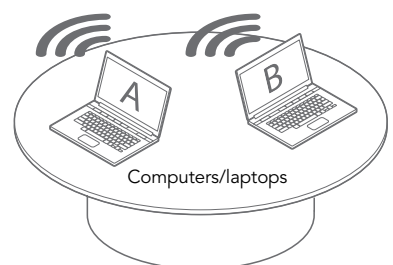
Input options

- Wireless option
- Two HDMI (also double as DVI with supplied adapter)
- One display port
- Analog
- Network
- USB and network input



Wireless projection

- Easy connectivity
- Less cluttered meeting space
- Cable-free management



- ▲ Christie E Series wireless dongle
- ◀ Wireless capability

Picture-in-picture/picture-by-picture functions offer different layout options

PIP/PBP	Main										
	HDMI 1	HDMI 2	Display port	VGA	BNC	Component	S-video	Composite	RJ45	USB type B (mini)	USB type A
HDMI 1	-	•	-	-	•	-	•	•	•	•	•
HDMI 2	•	-	•	•	-	•	-	-	-	-	-
Display port	-	•	-	-	•	-	•	•	•	•	•
VGA	-	•	-	-	•	-	•	•	•	•	•
BNC	•	-	•	•	-	•	-	-	-	-	-
Component	-	•	-	-	•	-	•	•	•	•	•
S-video	•	-	•	•	-	•	-	-	-	-	-
Composite	•	-	•	•	-	•	-	-	-	-	-
RJ45	•	-	•	•	-	•	-	-	-	-	-
USB type B (mini)	•	-	•	•	-	•	-	-	-	-	-
USB type A	•	-	•	•	-	•	-	-	-	-	-

• = PIP/PBP combinations are enabled - = PIP/PBP combinations are disabled



▲ Full suite of lenses

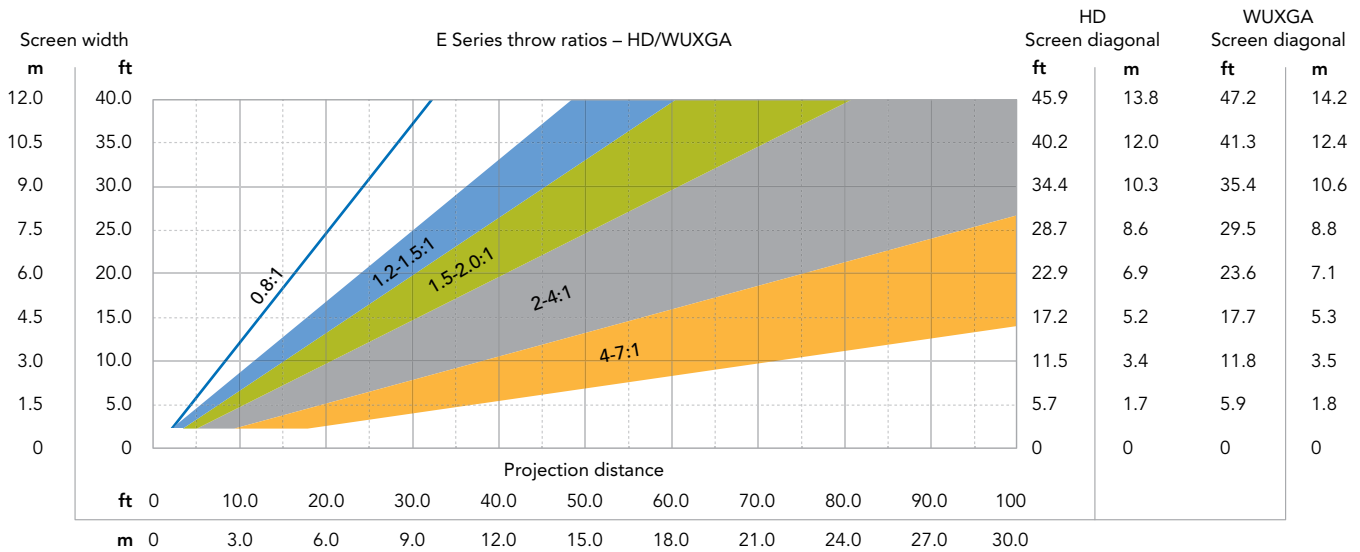
A suite of lens options to choose from

Our suite of fixed, short zoom, zoom and long zoom lenses for HD and WUXGA resolutions provides a broad range of lenses for any installation.

Accessories and options

Description	Part Number	
Lenses	0.8:1 fixed short	133-100102-01
	1.2-1.5:1 short zoom	133-101103-01
	1.5-2.0:1 zoom	133-102104-01
	2.0-4.0:1 zoom	133-103105-01
	4.0-7.0:1 long zoom	133-104106-01
Ceiling mount	133-106108-01	
Ceiling mount extension	104-101001-XX	
Dual processor warp module	133-111104-01	

Description	Part Number
Wireless dongle (1DWUSB-BGN)	133-113106-01
Stacking frame	118-100107-XX
Stacker plate for E Series	133-107109-01
Lamp for 675 models (330W)	003-004449-01
Lamp for 775 models (350W)	003-004450-01
E Series color wheel (color)	003-003411-XX



Going above and beyond

In addition to high quality products, what makes Christie different from everyone else?

We go above and beyond to take care of our customers. Customers keep coming back to us because they can't get the same level of support anywhere else.

We care about our customers. Your satisfaction is our ultimate goal. We stand behind our products and support you with our second-to-none warranty and service programs.

Support and Service

All Christie products are backed by industry-leading warranties, renowned service and support. We ensure our customers are well supported with training, service and technical support through our extensive distribution and support network.

Christie has local support on five continents offering support for international installations and global deployments.

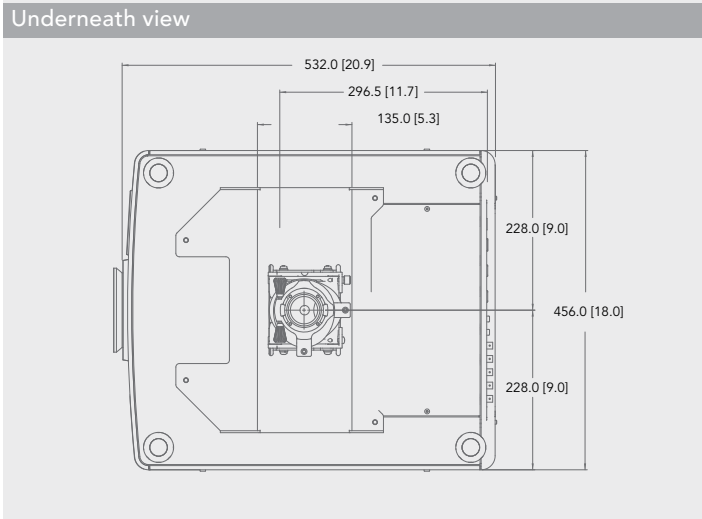
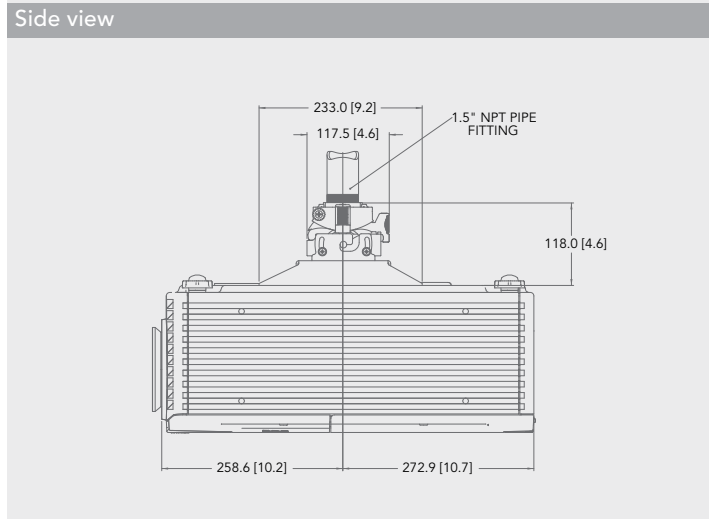
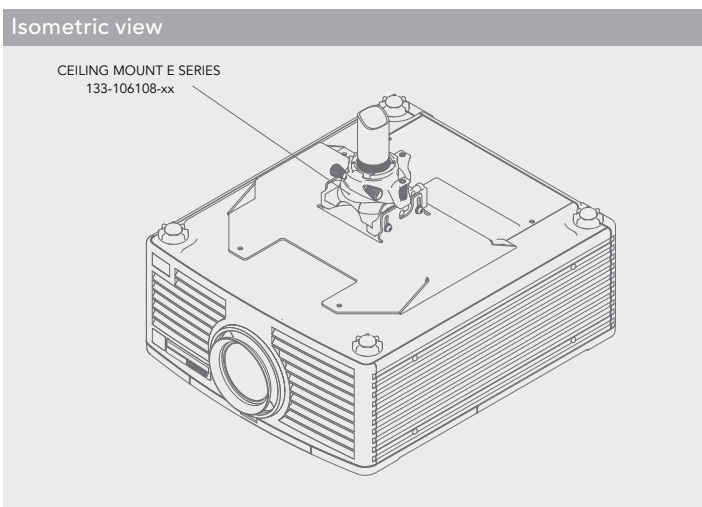
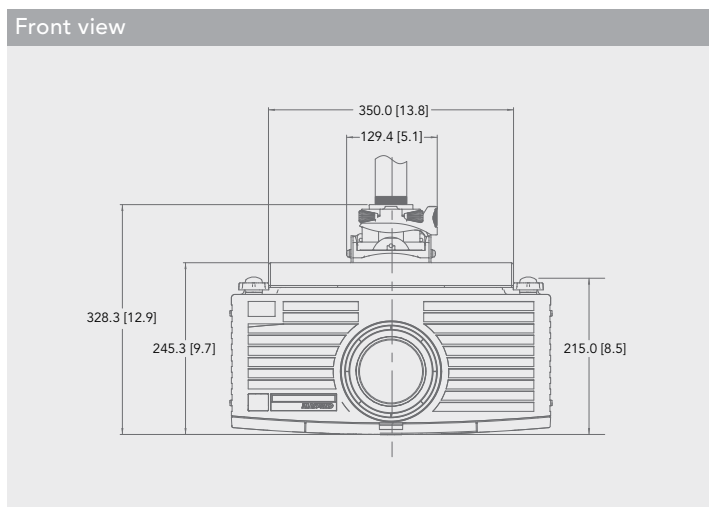
We offer customer-centric service with years of extensive experience in a variety of applications.

Environment

At Christie we recognize our responsibility to control the impact of our business on the environment. We take pride in offering eco-friendly features in our products that are not only good for the environment, but also lower total cost of ownership for our customers.

Christie E Series includes features that support our commitment to being eco-friendly.

- _____ Eco mode
- _____ 0.5W standby mode
- _____ Auto shut down
- _____ Sleep timer: save energy by controlling when the projector goes to sleep
- _____ Single lamp mode



		Christie DHD675-E	Christie DWU675-E	Christie DHD775-E	Christie DWU775-E	
Image	brightness (high CW - RGBCYW)	dual lamp	• 6450 center lumens (5850 ANSI lumens)	• 6700 center lumens (6100 ANSI lumens)	• 7000 center lumens (6400 ANSI lumens)	• 7200 center lumens (6700 ANSI lumens)
		single lamp	• 4275 center lumens (3875 ANSI lumens)	• 4450 center lumens (4050 ANSI lumens)	• 4600 center lumens (4200 ANSI lumens)	• 4800 center lumens (4400 ANSI lumens)
	brightness (optional rich color wheel - RGBCMY)	dual lamp	• 4275 center lumens (3875 ANSI lumens)	• 4450 center lumens (4050 ANSI lumens)	• 4700 center lumens (4300 ANSI lumens)	• 4900 center lumens (4500 ANSI lumens)
		single lamp	• 2850 center lumens (2600 ANSI lumens)	• 3000 center lumens (2700 ANSI lumens)	• 3150 center lumens (2900 ANSI lumens)	• 3300 center lumens (3000 ANSI lumens)
	color wheel	• 6 Segment (RGBCYW)				
contrast	• 5000:1 (Dynamic Contrast enabled); 1300:1 (full on/off); 250:1 ANSI					
Display technology	type	• 1-chip 0.65" DMD	• 1-chip 0.67" DMD	• 1-chip 0.65" DMD	• 1-chip 0.67" DMD	
	native resolution	• 1920 x 1080 (2,073,600 pixels) 16:9	• 1920 x 1200 (2,304,000 pixels) 16:10	• 1920 x 1080 (2,073,600 pixels) 16:9	• 1920 x 1200 (2,304,000 pixels) 16:10	
Lamp	type	• Dual 330W P-VIP		• Dual 350W P-VIP		
	typical lifetime	• 1800 hrs minimum @ 330W • 2500 hrs typical @ 280W		• 1500 hrs minimum @ 350W, 2000 hrs typical @ 280W		
Input	standard	• HDMI x 2 • Display port x 1 • RGBHV (5 BNC) • HD15 x 1 • Composite video x 1 (RCA) • S-Video x 1 (mini DIN) • Component video (RCA) • USB x 1 (type B mini) - Display over USB • USB x 1 (type A) - Image viewer or WiFi dongle (optional) • RJ45 x 1				
	signals	• HDTV formats VGA through to WUXGA (1920 x 1200) • Horizontal and vertical scaling while maintaining aspect ratio, all inputs				
	pixel clock	• 162 MHz				
	scan rates	• Horizontal: 15-100kHz • Vertical: 24-85Hz				
Outputs	monitor out	• HD15 x 1				
Control and networking		• RS-232 in • Ethernet (10/100) RJ45 with ChristieNET™ connectivity • Built-in backlit keypad • Wired remote control (3.5mm stereo) - wire not included				
Lens mount	type	• Tool-free lens insertion system • Motorized horizontal and vertical lens offset • Motorized zoom and focus adjustment				
Lenses	fixed	• 0.8:1				
	zoom	• 1.2-1.5:1 • 1.5-2.0:1 • 2.0-4.0:1 • 4.0-7.0:1				
	offsets	• Vertical: + 134% (+ 720 pixels) / - 40% (- 216 pixels) • Horizontal: ± 20% (±192 pixels)	• Vertical: + 120% (+ 720 pixels) / - 40% (- 240 pixels) • Horizontal: ± 20% (±192 pixels)	• Vertical: + 134% (+ 720 pixels) / - 40% (- 216 pixels) • Horizontal: ± 20% (±192 pixels)	• Vertical: + 120% (+ 720 pixels) / - 40% (- 240 pixels) • Horizontal: ± 20% (±192 pixels)	
Accessories	standard	• IR Remote with wired remote jack (wire not included) • AC Line cord • HDMI-DVI Cable with locking HDMI connector • User manual				
	optional	• 1DWUSB-BGN (wireless dongle for video and control) • Warp module • Rich color wheel (RGBCMY) • Stacker (must also order stacker adapter plate) • Stacker adapter plate • Ceiling mount • Ceiling mount extension				
Power requirements	operating voltage	• 100-240 VAC @ 50/60Hz				
	consumption	• 855W maximum (dual lamp 330W) • 735W eco mode (dual lamp 280W)		• 920W maximum (dual lamp 350W) • 755W eco mode (dual lamp 280W)		
	operating current	• 9.2A maximum @ 100V		• 9.6A maximum @ 100V		
	dissipation	• 2917 BTU/hr maximum • 2508 BTU/hr eco mode		• 3139 BTU/hr maximum • 2576 BTU/hr eco mode		
Dimensions	size	• (LxWxH) 20.9 x 18.0 x 8.5" (532 x 456 x 215mm) without feet				
	shipping size	• (LxWxH) 23.3 x 38.0 x 15.4" (591 x 965 x 390mm)				
	weight	• 43lbs (19.5kg)				
	shipping weight	• 58lbs (26.3kg)				
Operating environment		• Temperature: 40-95°F (5-35°C) • Humidity: 0-80% non-condensing				
Regulatory approvals		• UL/CSA/IEC 60950-1 • FCC Class A, CE, CCC, KC, Gost-R, PSE, C-tick, and South Africa. • This product conforms to all relevant European directives, standards, safety, health and environmental concerns • RoHS, REACH, WEEE				
Limited warranty		• Three years parts and labor (including light engine) • Contact an authorized Christie representative for full details of our limited warranty				



Corporate offices

Christie Digital Systems USA, Inc.
USA – Cypress
ph: 714 236 8610

Christie Digital Systems Canada Inc.
Canada – Kitchener
ph: 519 744 8005

Independent sales consultant offices

Italy
ph: +39 (0) 2 9902 1161

Worldwide offices

United Kingdom
ph: +44 (0) 118 977 8000

Germany
ph: +49 2161 664540

France
ph: +33 (0) 1 41 21 44 04

Spain
ph: +34 91 633 9990

Eastern Europe and
Russian Federation
ph: +36 (0) 1 47 48 100

Republic of South Africa
ph: +27 (0)11 510 0094

United Arab Emirates
ph: +971 4 3206688

India
ph: +91 80 6708 9999

Singapore
ph: +65 6877 8737

China (Shanghai)
ph: +86 21 6278 7708

China (Beijing)
ph: +86 10 6561 0240

Japan (Tokyo)
ph: 81 3 3599 7481

Korea (Seoul)
ph: +82 2 702 1601



ISO 9001
ISO 14001

Kitchener, Ontario



For the most current specification information, please visit www.christiedigital.com



Copyright 2012 Christie Digital Systems USA, Inc. All rights reserved. All brand names and product names are trademarks, registered trademarks or tradenames of their respective holders. Christie Digital Systems Canada Inc.'s management system is registered to ISO 9001 and ISO 14001. Performance specifications are typical. Due to constant research, specifications are subject to change without notice. Printed in Canada on recycled paper. 3378 Oct 12

CHRISTIE®