

# MasterCue V<sup>5</sup> USB

**MasterCue V<sup>5</sup> USB** is the cueing system of choice for the AV professional. The USB interface can directly control the computer running the presentation if required and with the option of dual button controls, the presenter can signal either forward or back cues during their presentation. As well as the renowned wireless remote system which allows full presenter mobility on stage, also included are hard-wired remotes for totally assured cueing in any situation. The control unit displays the cues visually using colour coded and directional signals and with audible cue sounds via either the in-built speaker or headphones, absolutely certain cue signalling is assured.

Other features include programmable remote cue buttons to control the presentation in specific ways (e.g. return to the beginning of the presentation or take the screen to black perhaps) and an intercom system loop-through feature which can let the operator hear cue sounds via their production intercom headset. An optional Confidence Lamp upgrade provides the presenter with a clear, on-stage, coloured, visual confirmation of their cues. The system is easily installed using standard 3-pin XLR (mic) cables and the rugged design has proven to stand up to the most rigorous industrial use.

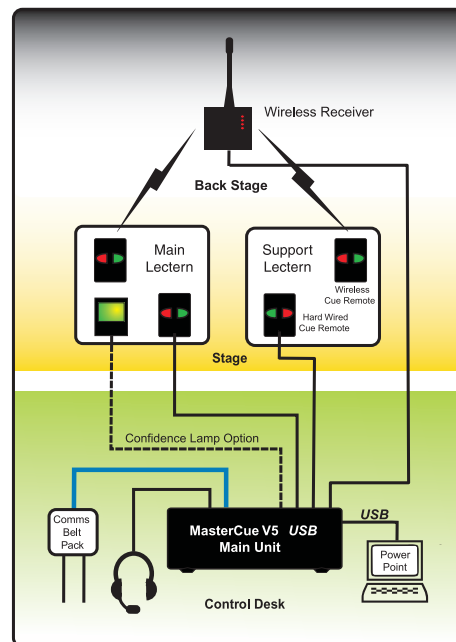
## Main features

- Dual-button presentation control via both wireless and hard-wired handsets
- Selectable multi-tone audible cues
- Audio out, internal speaker and intercom loop-through options
- Multicolour and directional visual cue display
- Control of multiple presentation versions using Cue<sup>4</sup>
- Simple setup using standard 3-pin XLR (mic) cables
- Fully CE and FCC compliant

**3 Year Limited  
Factory Warranty**



*When a Missed Cue  
is Simply Not an Option!*



## Interspace Industries LLC

4650 S. Butterfield Dr., Tucson, AZ  
call: (520) 689-4237 fax: (520) 844-9020  
email: [moreinfo@i2llc.us](mailto:moreinfo@i2llc.us) web: [www.interspaceind.com](http://www.interspaceind.com)

## Specifications

### Signals:

RF 433Mhz  
 Audio on 600Ohms 1Vp-p Variable  
 RF Signal type: FSK modulation

### Connectors:

RF receiver: BNC for aerial and female XLR  
 Main unit: Male 3-pin XLR for RF receiver connection, female 3-pin XLRs for each of the wired remotes, audio intercom loop-through using 1 male and 1 female 4-pin XLRs, 1/4" jack socket for balanced audio output, PS2 style keyboard connector for keyboard programming, B-type USB connector, IEC mains power input

### Accessories Included:

- 2 Wireless remotes
- 1 RF receiver
- 1 Aerial
- 2 Hard-wired remotes
- 1 USB series A-B cable
- 1 4-pin XLR intercom loop-through adaptor cable
- 1 Mains lead (Power Cord)

### Required user parts:

1/4" Stereo headphones if discreet tone is required or cable to external device (Audio Desk VTR etc.)  
 XLR Cable

### Dimensions and weights mm (inch):

Main Unit DxWxH: 113 (4 4/10") x 235 (9 2/10") x 78 (3")  
 (inc feet)  
 Weight: 1050g (2.31lbs)

### Transmitters

DxWxH: 100 (4") x 65 (2 1/2") x 25 (1")  
 Weight: 100g (3.6oz)

### RF Receiver

DxWxH: 90 (3 1/2") x 90 (3 1/2") x 50 (2")  
 Weight: 178g (6.3oz)

### Wired buttons

DxWxH: 90 (3 1/2") x 60 (2 4/10th") x 33 (1 3/10th")  
 Weight: 166g (5.9oz)

### Aerial

LxDia: 142mm (5 9/16") x 14mm (17/32")  
 (433 MHz)  
 Weight: 25g (1oz)

### Power:

International Power Supply 100-240VAC 1.0A max  
 47-63Hz IEC connector

### Available Options:

#### Hand transmitters

Hand transmitters are available in either single cue or next and back (2 button) versions. Up to 16 transmitters can be programmed to the receiver in any combination.



#### Confidence Lamp

A discreet yet highly visible indicator to allow the presenter to see that the system has received their cue signal. The indicator illuminates either as green or red. Upgrade to Confidence Lamp indicator requires factory fitting.

#### Universal Stand

Designed for use with Mastercue V5 USB receiver (ensures aerial is always vertical) as well as Confidence Lamp if required.

#### Cue<sup>4</sup>

Simultaneous control of multiple PowerPoint™ versions using this purpose designed, expandable 4 way interface.

